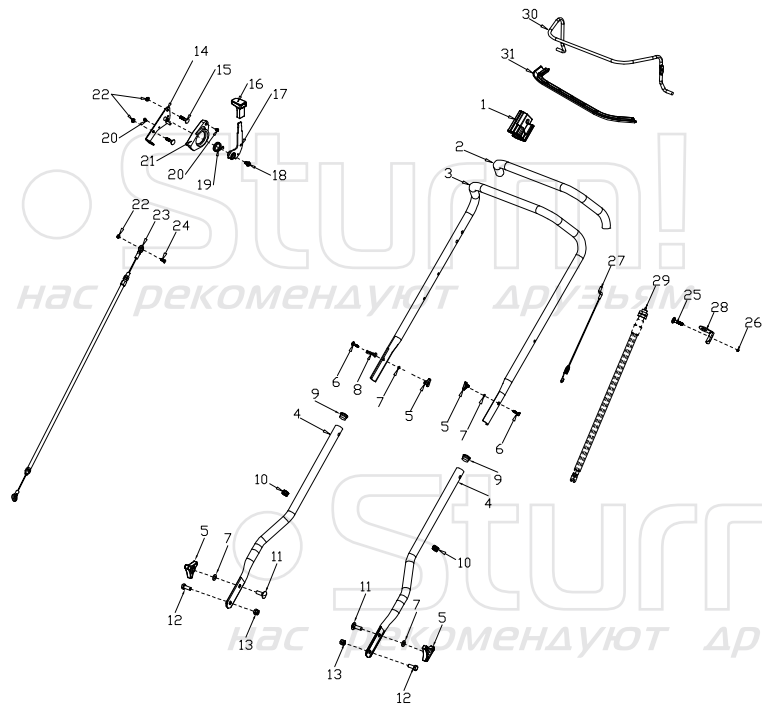
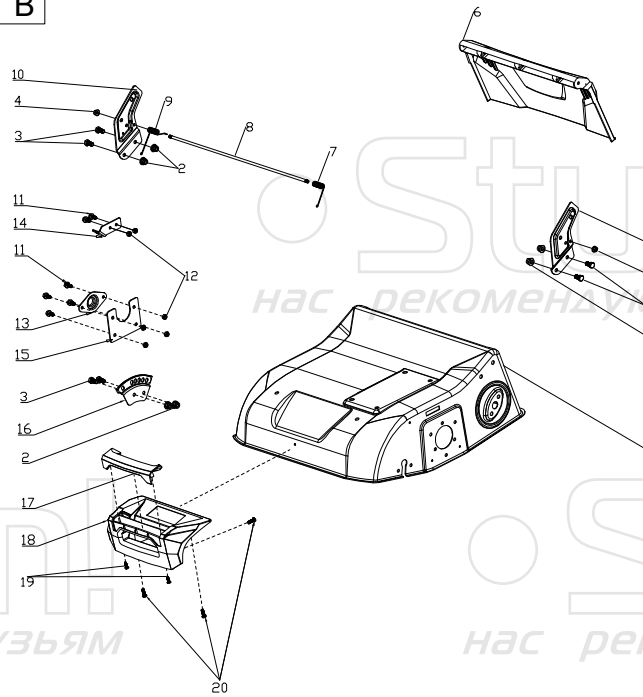
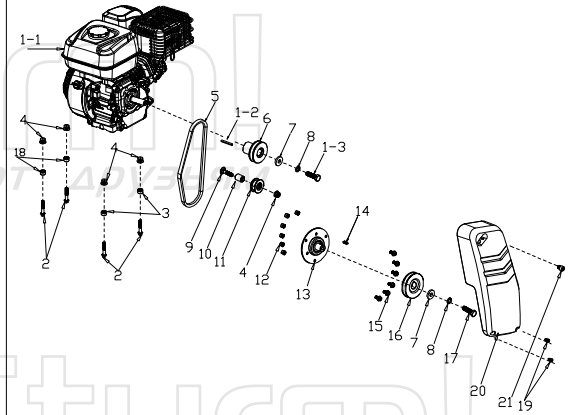
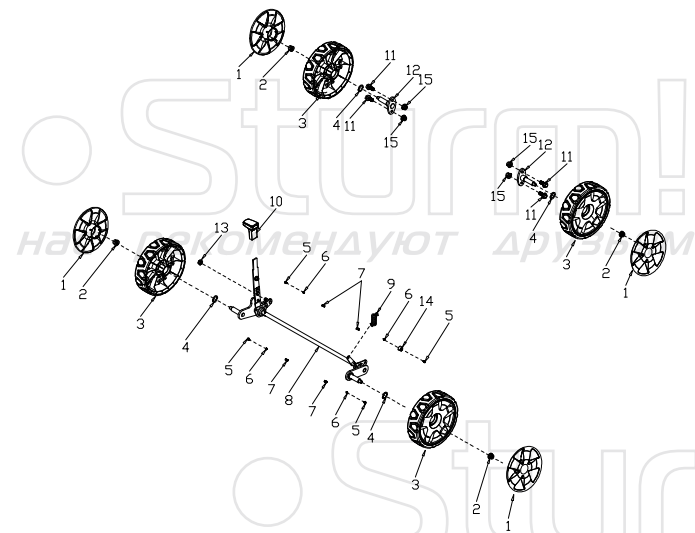
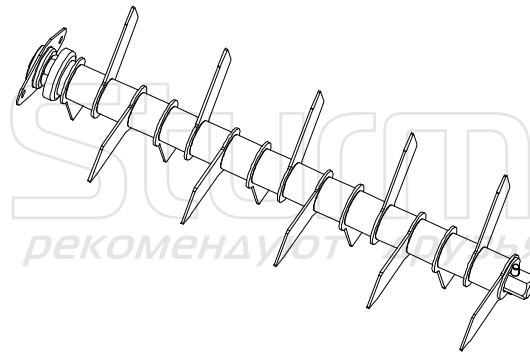
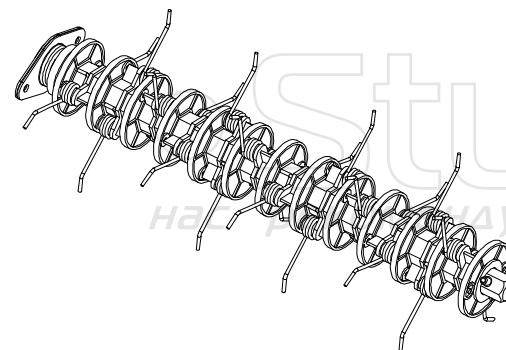
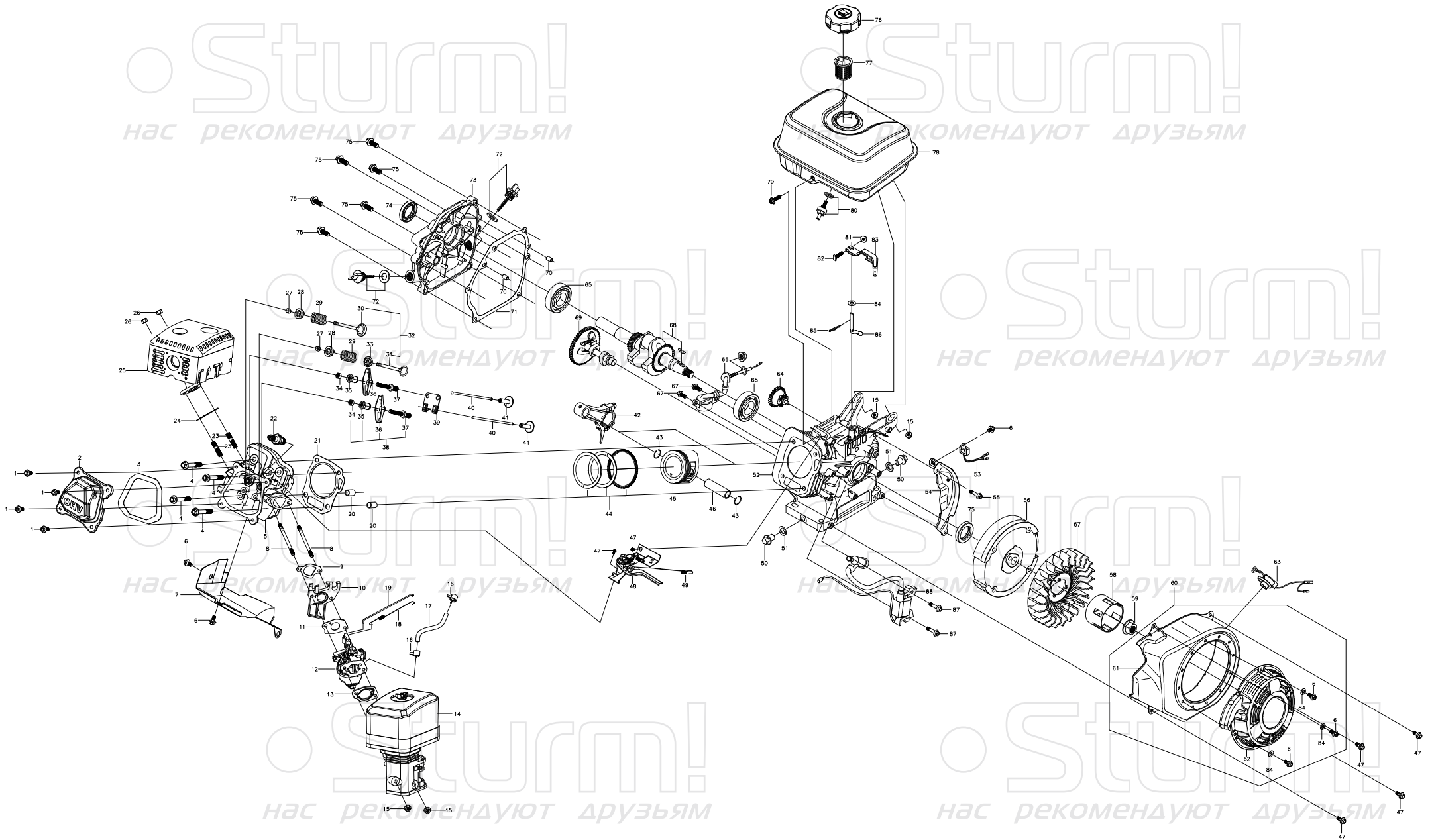


A**B****C****D****F****E****G**

PS4040

NO.	DESCRIPTION	NO.	DESCRIPTION
A-01	Limiting Stopper	B-17	upper cover
A-02	Foam Pipe	B-18	front face
A-03	Upper handrail	B-19	Screw ST4.2X15
A-04	Lower handrail	B-20	Screw ST5.0X16
A-05	Knob	C-01-1	Engine
A-06	Bolt M8X50	C-01-2	Flat Key
A-07	Flat Washer Ф8	C-01-3	Bolt 5/16-24UNF×25
A-08	Rope Guide	C-02	Bolt M8X45
A-09	Handle Plug	C-03	Bush
A-10	Cable Support	C-04	Nut M8
A-11	Bolt M8X25	C-05	Belt
A-12	Bolt M8X15	C-06	Pulley wheel
A-13	Nut M8	C-07	Flat Washer Ф8
A-14	Plate	C-08	Spring washer Ф8
A-15	Bolt M6X30	C-09	Bolt M8X45
A-16	Plastic Grip	C-10	Pully bush
A-17	Height Adjustment Handle	C-11	Idler pulley
A-18	Bolt M6X12	C-12	Nut M6
A-19	Height Adjustment Spring	C-13	Flange assembly
A-20	Screw ST4.2X9.5	C-14	Flat Key
A-21	Box	C-15	Bolt M6X14
A-22	Nut M6	C-16	pulley
A-23	cable	C-17	Bolt M8X25
A-24	steps bolt	C-18	Bush
A-25	Bolt M6X30	C-19	Screw ST4.8X19
A-26	Nut M6	C-20	belt cover
A-27	Brake Cable	C-21	Screw M8x20
A-28	fixed plate	D-01	wheel cover
A-29	Brake Cable	D-02	Nut M8
A-30	Brake Lever	D-03	wheel
A-31	Plastic Decoration	D-04	Spring Washer φ13
B-01	Deck	D-05	Bolt M6X12
B-02	Nut M8	D-06	Nut M6
B-03	Bolt M8X15	D-07	Front Axle half sleeve
B-04	Nut M6	D-08	Front Axle
B-05	Left bracket	D-09	Height Adjustment Spring
B-06	Rear Cover	D-10	Plastic Grip
B-07	Rear Cover Spring L	D-11	Bolt M8X20
B-08	Rear Cover Shaft	D-12	fixed shaft assy
B-09	Rear Cover Spring R	D-13	Nut M8
B-10	Right bracket	D-14	Bush
B-11	Bolt M6X14	D-15	Nut M8
B-12	Nut M6	E-01	Metal Bracket
B-13	Cover	E-02	Fabric Bag
B-14	fixed plate	F	Blade assy
B-15	forced place	G	sprung claw assy
B-16	height adjustment plate		

ENGINE FOR PS4040 PS4045



ENGINE FOR PS4040 PS4045

NO.	DESCRIPTION	NO.	DESCRIPTION	NO.	DESCRIPTION
1	Bolt M6X14	31	Inlet valve	61	Blower Housing
2	Cylinder Head Cover	32	Valve components	62	Hand-start
3	Gasket	33	valve seal	63	Flameout switch
4	Bolt M6X80	34	Combined Nut	64	Gear Shaft Assy
5	Cylinder Head Assy	35	Adjust Nut of Valve	65	Bearing 6205
6	Bolt M6X8	36	Rocker of Valve	66	Oil level sensor
7	Air guide cover	37	Valve adjusting bolt	67	Bolt M6X25
8	double Bolt	38	Rocker of Valve assembly	68	Crankshaft
9	Carburetor gasket 1	39	push rod plate	69	Camshaft
10	Carburetor Insulation mat	40	Push rod	70	Pin
11	Carburetor gasket 2	41	Tappet	71	Gasket of Crankcase
12	Carburetor	42	Connecting Rod	72	Lubricating Gauge
13	Carburetor gasket 3	43	Circlip	73	Crankcase Cover
14	Air filter	44	Piston ring assembly	74	Oil Seal
15	Nut M6	45	Piston	75	Bolt M8X32
16	Oil Pipe Circlip	46	Piston Pin	76	Fuel Tank Cap
17	Oil Pipe	47	Bolt M6X10	77	Filter tank
18	Spring	48	Throttle control assembly	78	Fuel Tank
19	Handspike of Valve	49	spring	79	Bolt M6X28
20	Pin	50	Draining Oil Bolt	80	Fuel tank outlet nozzle
21	Gasket of Cylinder Head	51	Draining Oil Bolt Gasket	81	Nut M6
22	Spark plug	52	Crankcase Assy	82	Square head Bolt
23	double Bolt	53	Oil protector	83	Speed adjustment bracket
24	Gasket of Muffler	54	Plate	84	washer
25	Muffler Assy	55	Bolt M6X20	85	R type pin
26	Nut M8	56	Flywheel	86	Control arm
27	Valve adjusting cap	57	Fan	87	Bolt M6X28
28	Valve spring seat	58	Start-up Hub	88	Ignition
29	Valve spring	59	Nut M14		
30	Outlet valve	60	Hand-start Assy		